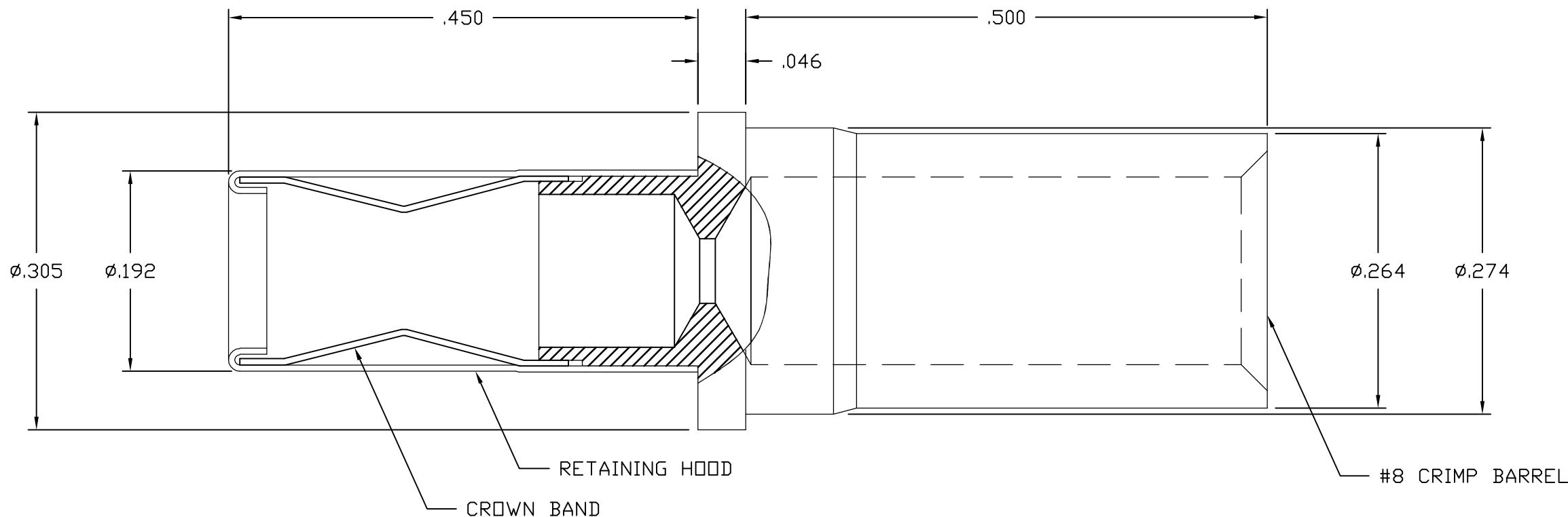


THIS DRAWING IS UNPUBLISHED. RELEASED FOR PUBLICATION
 © COPYRIGHT BY TYCO ELECTRONICS CORPORATION. ALL RIGHTS RESERVED.

LOC	DIST	REVISIONS					
GP	00	P	LTR	DESCRIPTION	DATE	DWN	APVD
			A	RELEASED	18APR06	RG	SF



5. REFERENCE ELCON SERIES 702-31-11107.

4. FINISH:
 SOCKET BODY: SILVER PLATED .0002 MIN THK. OVER NICKEL .00004 MIN THK..

CROWN CONTACT: GOLD PLATED .000030 MIN THK. OVER NICKEL .00004 MIN THK..

RETAINING HOOD: PASSIVATED.

3. MATERIALS:

SOCKET BODY: COPPER ALLOY

CROWN CONTACT: BERYLLIUM COPPER.

RETAINING HOOD: STAINLESS STEEL.

2. ITEMS PROVIDED TO THIS SPECIFICATION SHALL BE PERMANENTLY IDENTIFIED/PACKAGED PER THE FOLLOWING: CONNECTOR PART NUMBER AND DATE CODE OF MFR.

1. PART NUMBER CHANGES AND/OR DESIGN CHANGES AFFECTING ITEM INTERCHANGEABILITY REQUIRE PRIOR ELCON APPROVAL AND AUTHORIZATION BY REVISION TO THIS DRAWING.

AS SHOWN	6648317-1
DESCRIPTION	PART NUMBER

THIS DRAWING IS A CONTROLLED DOCUMENT.		DWN	18APR2006	Tyco Electronics Corporation	
		R.GRZYBOWSKI		Harrisburg, PA 17105-3608	
		CHK	18APR06	NAME	
		S.FLICKINGER		SOCKET CONTACT, SIZE #8	
		APVD	18APR06	CRIMP REMOVABLE STYLE	
		S.FLICKINGER		-	
DIMENSIONS: INCHES		TOLERANCES UNLESS OTHERWISE SPECIFIED:		SIZE	CAGE CODE
0 PLC ± -		1 PLC ± .02		A3	00779
2 PLC ± .010		3 PLC ± -		DRAWING NO	
4 PLC ± -		4 PLC ANGLES ± .5		C-6648317	
MATERIAL		FINISH		RESTRICTED TO	
-		-		-	
CUSTOMER DRAWING				SCALE	1:1
				SHEET	1 OF 1
				REV	A

ELCON CIRCULAR CONTACT